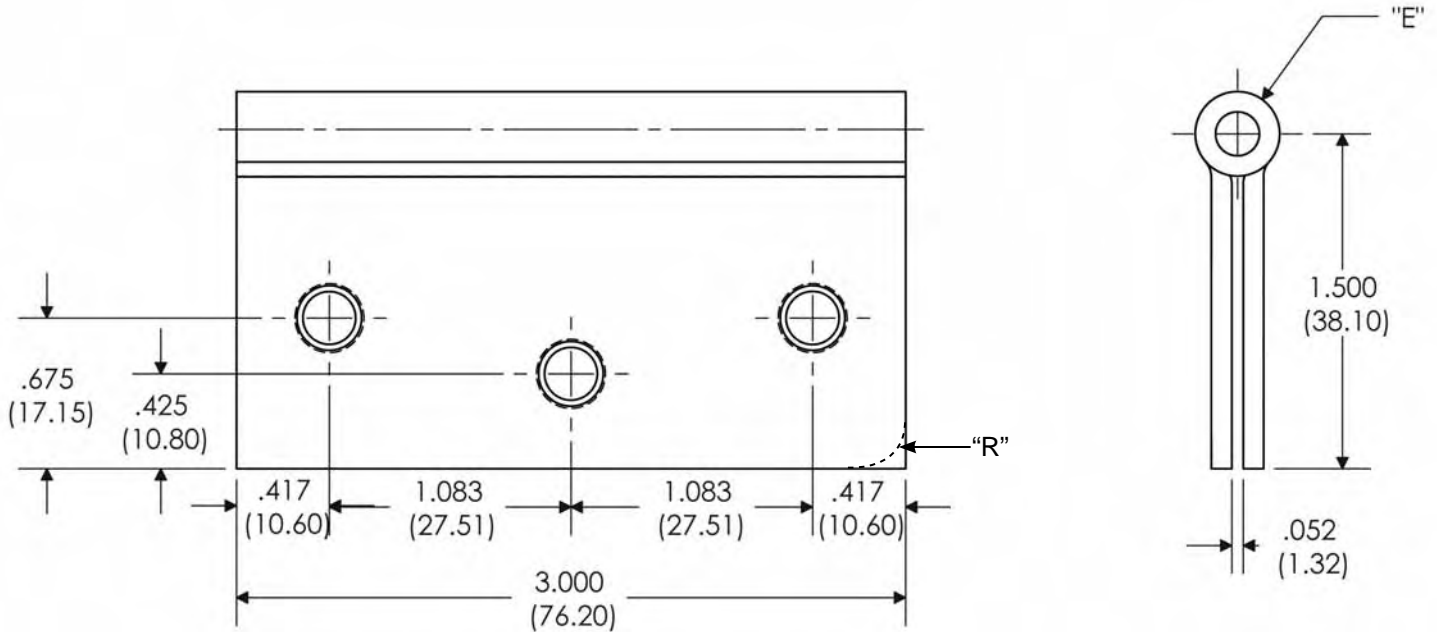




FULL MORTISE TEMPLATE PLAIN BEARING

RP
3" x 3"



Part Number			Gauge of Metal	"E" Outside Dia.	"R" Corner Radius
Steel	Brass	Stainless			
RP81	RP21	RP51	.091"	.534"	1/4", 5/8", Square

NOTE:

- Bulk pack 80 pcs. per carton.
- Screw size: PHWS - 9 x 3/4"
- All hinges are ANSI template.