



## CH52L INSTALLATION INSTRUCTIONS

**PBB Model CH52L** is a Stainless Steel Continuous Half Edge Mount Hinges for 1-3/4" (44.5mm) thick doors. The frame face must have a flat surface at least 1-5/8" wide. Clearance required between the hinge edge of the door and the frame rabbet is 1/8" (3.2mm) minimum.

### Hinge Length

All PBB Stainless Steel Continuous Hinges are supplied 7/8" to 1" shorter than the nominal door height to avoid threshold or carpet clearance problems.

### General Fitting Procedure

- **For new construction with metal doors/frames:** To accommodate the 1/8" (3.2mm) minimum hinge clearance required for PBB Model CH52L, order the door undersized or the frame header oversized. See the clearance information above to attain the proper size. Mortar guards, either styrofoam or wood, are recommended for frames to prevent grout from interfering with the installation of the hinge fasteners.
- **For new site-hung wood doors:** If necessary, scribe and cut from the latch edge of the door to leave sufficient hinge stile thickness for proper fastening. See the clearance information above to attain the proper finished width of the door. A minimum clearance of 1/8" (3.2mm) is required between the hinge edge of the door and the frame rabbet.
- **For remodeling with existing wood or laminate doors:** If necessary, scribe and cut from the hinge edge of the door and plane smooth. See the clearance information above to attain the proper finished width of the door. A minimum clearance of 1/8" (3.2mm) is required between the hinge edge of the door and the frame rabbet.

## INSTALLATION PROCEDURE

### Door Preparation

1. With the hinge open, place the hinge door leaf against the edge of the door. Position the top of the hinge flush with the top of the door. Position the integral corner guard fully against the "push" face of the door. Check handing.
2. Accurate location is important for proper hinge installation. Use adjustment holes for fine adjustment.
3. For hollow metal doors  $\leq .110"$  (2.8mm) thick, it is not necessary to pre-drill pilot holes if using the self-drilling screws provided. For hollow metal doors  $> .110"$  (2.8mm) thick, pre-drill pilot holes using #27 (.144"/3.7mm) bit. For wood doors, pre-drill pilot holes using a #25 (.149"/3.8mm) bit.
4. Attach the hinge to the door. For metal doors, use the #10 self-drilling screws provided (recommended driver speed 1,900 -2,500 RPM). For wood doors, use the #10 wood screws provided.

### Hanging the Door

1. With the hinge mounted to the door, set the door into the frame using shims or wedges to adjust for the desired clearance on all sides. Allow 1/8" (3.2mm) clearance between the top of the door and the frame header rabbet. Allow 1/16" (1.6mm) minimum clearance between the hinge door leaf and the frame rabbet.
2. With the door held securely in place, rotate the hinge leaf into position on the face of the frame.
  - a) For metal frames, mark and center punch the adjustment hole locations on the frame face. For metal frames  $\leq .110"$  (2.8mm) thick, it is not necessary to pre-drill pilot holes if using the self-drilling screws provided. For metal frames  $> .110"$  (2.8mm) thick, pre-drill pilot holes using a 7/32" (5.5mm) bit. Install the 1/4" self-drilling screws (recommended driver speed 1,900-2,500 RPM).
  - b) For wood frames, mark and center punch the adjustment hole locations on the frame face. Pre-drilling pilot holes using a 7/32" (5.5mm) bit. Install the #14 wood screws.
3. Remove all shims and wedges and make a gentle trial swing. Carefully check the door for proper swing and clearance.

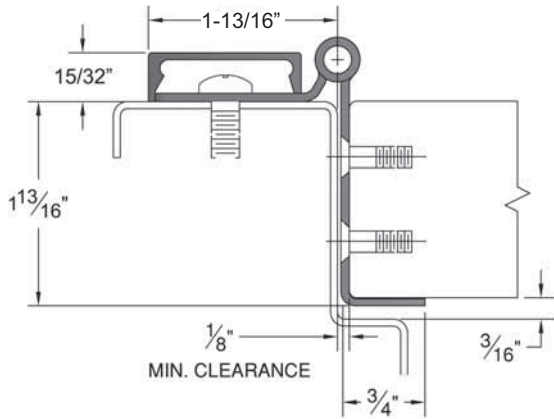


# CH52L INSTALLATION INSTRUCTIONS

## Install the Clip N-Go

1. Position the Molding so that the short leg is closest to the hinge pin. Hook the short leg over the Molding Clips along the full length of the hinge. Starting at the top and working downward press the long leg of the Molding in place completely over the outside edge of the door leaf. If necessary, gently tap in place using a rubber mallet, taking care not to damage the molding.

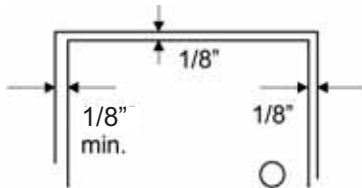
Note: The standard screw pack includes 1/4" self drilling screws for metal frames and #10 wood screws for wood doors. #14 wood screw and #10 self drilling screw available only on request at time of order.



CH52L

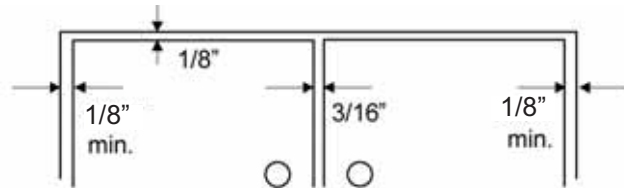
DOOR HEIGHT	HINGE LENGTH	NUMBER OF FASTENERS (Door/Frame)
6'-8"	79-1/8" (2006 mm)	20/11
7'-0"	83-1/8" (2111 mm)	21/12
7'-2"	85" (2159 mm)	21/14
8'-0"	95" (2413 mm)	23/13
10'-0"	118.75" (3022 mm)	27/16

## Total Clearance Between Door and Frame Width



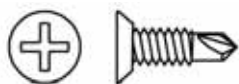
Single Door - Square Edged

Hinge Thickness	1/8" (3.2 mm)
Allowance for frame irregularities	1/32" (0.8 mm)
Latch side clearance (typical)	1/8" (3.2 mm)
<b>Total</b>	<b>9/32" (7.1 mm)</b>



Pair of Doors - Square Edged

Hinge Thickness	1/8" (3.2 mm)
Allowance for frame irregularities	1/32" (0.8 mm)
Latch side clearance (typical)	3/16" (4.8 mm)
Second hinge thickness	1/8" (3.2 mm)
Second allowance for frame irregularities	1/32" (0.8 mm)
<b>Total</b>	<b>1/2" (12.7 mm)</b>



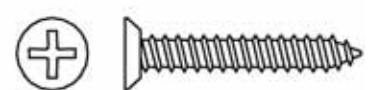
#10 SELF-DRILLING SCREW



1/4" SELF-DRILLING SCREW



#14 WOOD SCREW



#10 WOOD SCREW