



## CH53 INSTALLATION INSTRUCTIONS

All holes in the hinge must be drilled correctly and properly installed. Failure to will void the UL fire rated listing.

Do not install Snap-On cover until installation is 100% complete, and the assembly is correctly fastened and properly fitted.

The Screw Pack contains self-drilling Tek screws. These screws are also recommended for grout-filled frames.

- Perform each step of these instructions.

(1) Place hinge on frame as shown in Figure 1 on the other side of these instructions.

- Allow 1/8" between top of hinge and underside of header.

Note that at least 1 13/16" of frame face is required for mounting this hinge.

(2) Mark the position of the top and bottom adjustment holes with a center punch, then drill and fasten. The use of the PBB drill tool can help center the hole so that the fasteners will enter straight.

(3) After the top and bottom screws are installed, drill and fasten the remaining holes.

(4) Fold the door leaf back over the frame leaf and place the door in the door frame.

- Place shims under the door to provide 1/8" clearance between the header and the top of the door.
- Add shims at both the hinge and latch side of the door so that 1/8" clearance will be maintained equally on the lock side of the door.

(5) With the door held firmly in place, return the door leaf to the face of the door and repeat the drilling procedure described in steps (2) and (3).

**For Molly Jacknuts or Steel Sex Bolts or any other type of fastening devices needed, Please contact PBB directly at 1-800-726-3414.**

(6) Remove all shims and wedges and make a gentle swing. Carefully check the door for proper swing and clearance.

(7) Install the Clip N-Go

Position the Molding so that the short leg is closest to the hinge pin. Hook the short leg over the Molding Clips along the full length of the hinge. Starting at the top and working downward press the long leg of the Molding in place completely over the outside edge of the door leaf. If necessary, gently tap in place using a rubber mallet, taking care not to damage the molding.-

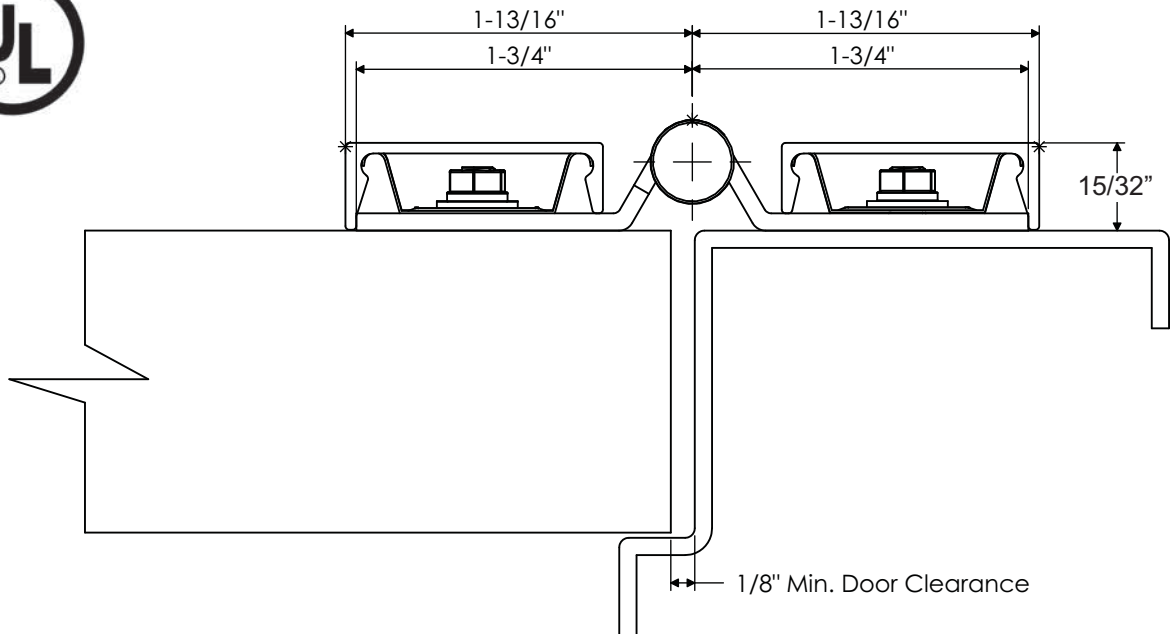
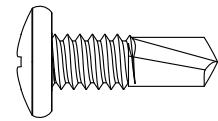
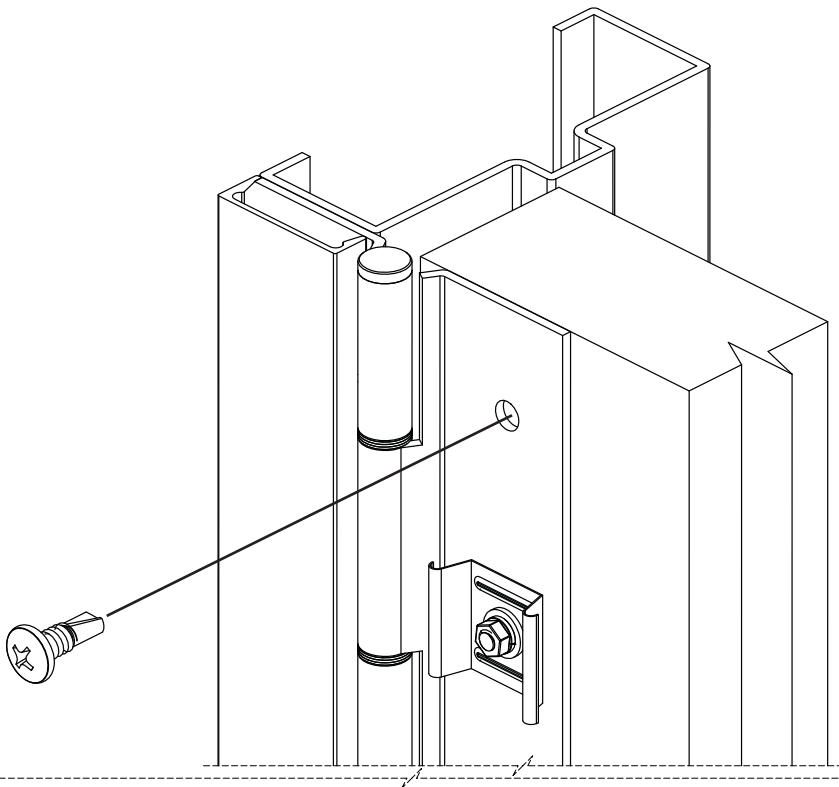
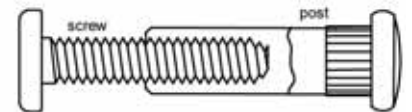


Figure 1: Hinge Placement & Clearance Template

STANDARD HARDWARE



1/4"-20 x 3/4" PHP Self Drilling Tek Screws



1/4" SEXBOLT (optional)

*(Caution-Use of power drill may over-torque self drilling screw and cause stripping of threads.)*

Figure 2: Installation (Exploded View)